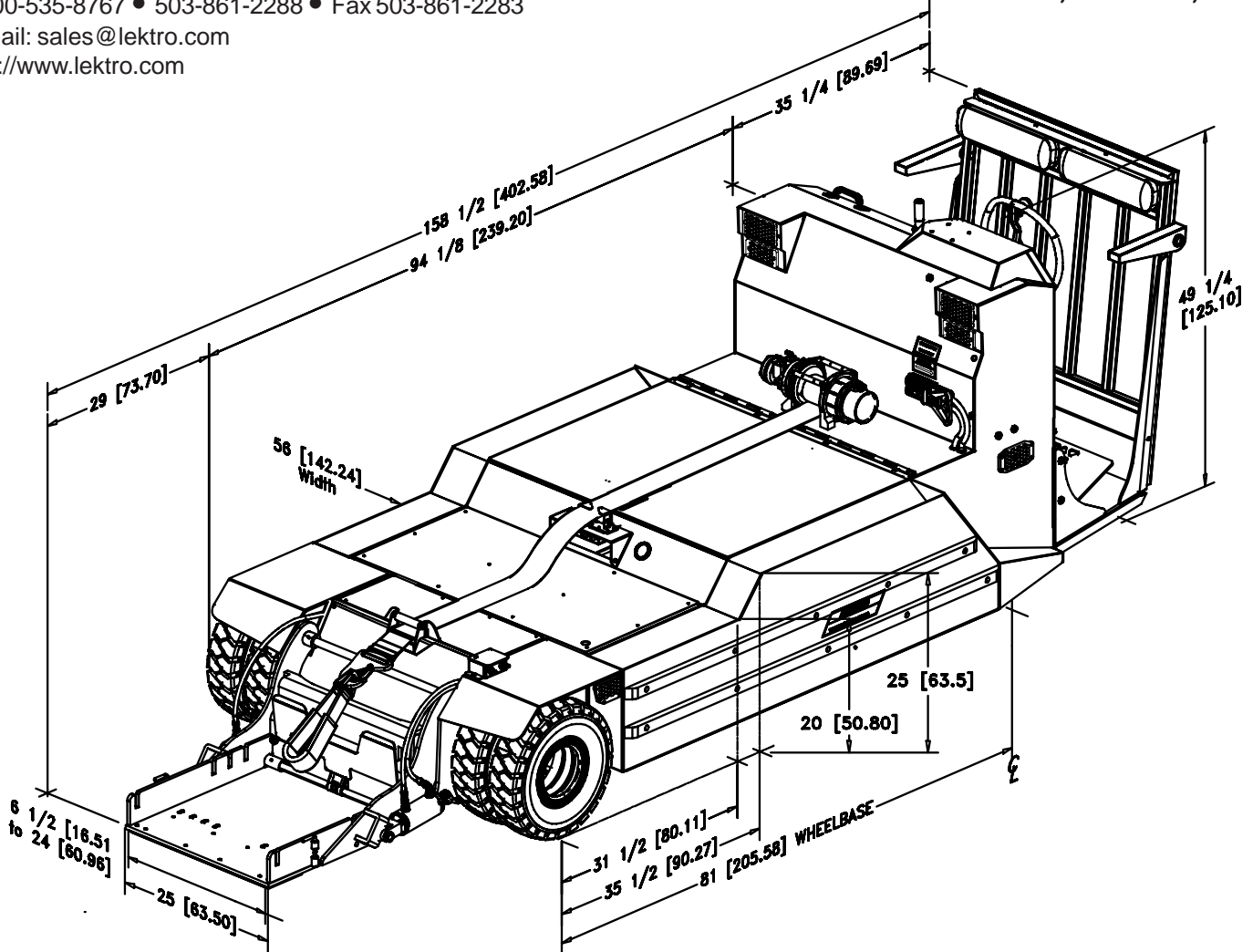


LEKTRO

Model AP8750C-ALM AIRCRAFT TOWING VEHICLE FOR AIRCRAFT UP TO 75,000 LBS/34,020 KG

1190 S.E. Flightline Drive, Warrenton, Oregon 97146-9692
1-800-535-8767 • 503-861-2288 • Fax 503-861-2283
E-mail: sales@lektro.com
http://www.lektro.com



AP8750C-ALM FEATURES:

Vehicle Drive: Heavy-duty 19 HP, 72-volt D.C. Traction Motor coupled direct to drive wheels through gear drives utilizing compact design and strength to achieve maximum torque and efficiency. Limited Slip Differential, standard.

Motor Speed Control: State of the art General Electric EV-100 LXT Electronic Speed Control with on-board trouble shooting diagnostics. Speed controlled by combination Hand Throttle/Directional Lever.

Batteries: 72-volt industrial, 275 ampere hour Battery (6 hr. rate), with Single Point Watering System.

G.P.U.: Built-in 12/24/28 volt, 1175 cold cranking ampere output capability with independent batteries and charging system, optional.

Motive Battery Charger: Fully automatic 72 ampere D.C., 240/480 volt A.C., 60 hz, Three Phase Charger, standard. 50 hz, optional.

Nose Gear Lift Cradle: Lektro's patented Universal Nose Gear Lift Cradle is activated by an Electric/Hydraulic 72-volt D.C pump assembly with dual cylinders, and is capable of handling dual and single wheel aircraft. A hold down provision for light-nosed aircraft is standard.

Winch: Heavy-duty Hydraulic Winch with automatic safety cut-off. Winch Strap and universal Strut Straps included.

Steering: Automotive-type wheel mechanically operated through chain and sprockets to an automotive gear box resulting in very responsive steering action.

Service Brakes: Foot operated dual independent hydraulic disc-type Service Brakes at each drive wheel.

Parking Brake: Foot operated mechanically activated Automatic Parking Brake.

Front Drive Tires: Dual 5.00 x 8 10-ply Poly-foam filled Pneumatic Traction Drive Tires. Chains optional for slippery conditions.

Rear Steer Tires: Dual 5.00 x 8 10-ply Poly-foam filled Pneumatic Traction Steer Tires.

Lighting: Dual Forward and Aft Headlights, independently activated. Seven flashing amber Running Lights positioned around tug to illuminate sides, top and rear.

Operator's Compartment: Two person configuration, stand-up operation with restraint.

Construction: Welded steel plate and polymers preserved by primer and automotive high-gloss red or white enamel paint with a special "Linex" protective coating applied to decks, fenders, side and battery compartments to prevent rust, scratches and corrosion. Custom colors optional.

Pintle Towing Hook, standard.

SPECIFICATIONS:

Length	158.5 in / 403 cm
Width	56 in / 142 cm
Height	49.25 in / 125 cm
Turning Radius	139 in / 353 cm
Wheel Base	81 in / 206 cm
Vehicle Speed, Empty	8 m.p.h. / 12.8 kph
Vehicle Speed, Loaded (To Max. Vehicle Capacity)	3.5 m.p.h. / 5.6 kph
**Lift Cradle Capacity	7500 lbs / 3402 kg
Nose Gear Cradle Lifting Height	9.75 in / 24.8 cm
Ground Clearance	5 in / 12.7 cm
Chassis Weight w/o Batteries & Charger	3280 lbs / 1488 kg
Chassis Weight w/ Motive Batteries & Charger	5650 lbs / 2563 kg

**Lift Capacity is calculated with 18 in / 46 cm diameter aircraft tire in lift cradle. Aircraft tire center line at 20.5 / 52 cm from drive tire center line.

ADDITIONAL OPTIONS:

Specialized Aircraft Towing Adapters and Custom Highlift Adapters are available (consult factory).

PATENT Nos. 5,151,003/5,302,075. Other Patents Pending.

08/07